

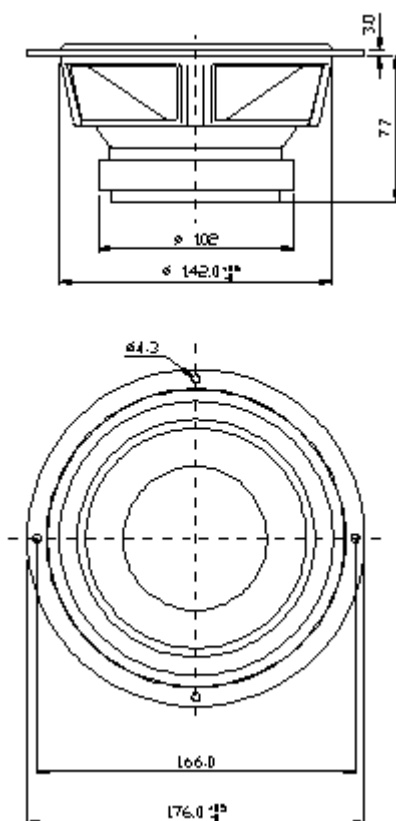
[print](#) [close](#)

Peerless Data Sheet

CSX 176 H

176 WR 33 102 SD AL 8 ohm - Order ID: 850122

6S" high-end woofer with heavy magnet and large voice coil. All-around bass reflex driver suitable for a wide range of box sizes (8-50 ltrs.). The speaker impresses with a very deep and dry bass, and a crisp and clear midrange with very low distortion.



CSX 176 H

Thiele Small parameters:

| | | |
|---|------|--------------------|
| Nominal impedance | Zn | (ohm) |
| Minimum impedance/at freq. | Zmin | (ohm/Hz) |
| Maximum impedance | Zo | (ohm) |
| DC resistance | Re | (ohm) |
| Voice coil inductance | Le | (mH) |
| Capacitor in series with 8 ohm (for impedance compensation) | Cc | (µF) |
| Resonance Frequency | fs | (Hz) |
| Mechanical Q factor | Qms | |
| Electrical Q factor | Qes | |
| Total Q factor | Qts | |
| F (Ratio fs/Qts) | F | (Hz) |
| Mechanical resistance | Rms | (Kg/s) |
| Moving mass | Mms | (g) |
| Suspension compliance | Cms | (mm/N) |
| Effective cone diameter | D | (cm) |
| Effective piston area | Sd | (cm ²) |
| Equivalent volume | VAS | (ltrs) |
| Force factor | Bl | (N/A) |
| Reference voltage sensitivity Re 2.83V 1m at 230 Hz (Measured) | | (dB) |

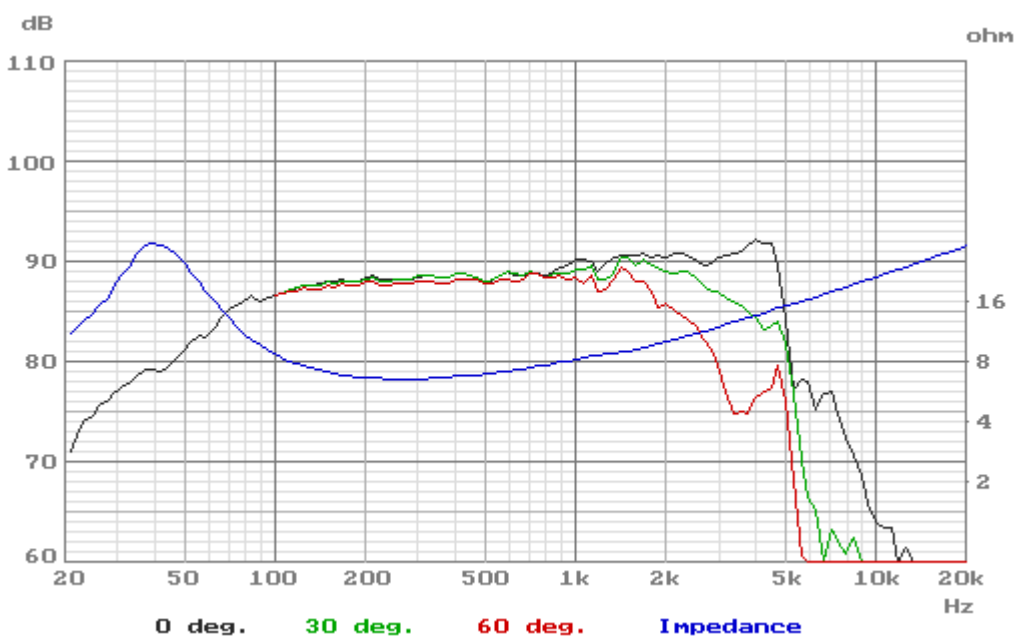
| Free air | Common | Baffled |
|----------|---------|---------|
| | 8 | |
| | 6.5/230 | |
| | 31.7 | |
| | 6.1 | |
| | 1.3 | |
| | 9 | |
| 38.0 | | 36.8 |
| 2.22 | | 2.29 |
| 0.53 | | 0.55 |
| 0.43 | | 0.44 |
| | | 83 |
| 17.8 | 1.92 | 19.0 |
| | 0.99 | |
| | 13.5 | |
| | 143 | |
| | 27.7 | |
| | 7.0 | |
| | | 86.5 |

Magnet and voice coil parameters:

| | | | |
|---------------------|----|-------|------|
| Voice coil diameter | d | (mm) | 33 |
| Voice coil length | h | (mm) | 17 |
| Voice coil layers | n | | 2 |
| Flux density in gap | B | (T) | 1.08 |
| Total useful flux | | (mWb) | 0.94 |
| Height of the gap | hg | (mm) | 6 |
| Diameter of magnet | dm | (mm) | 102 |
| Height of magnet | hm | (mm) | 16 |
| Weight of magnet | | (kg) | 0.54 |

Power handling:

| | | |
|----------------------------------|-----|-----|
| Long term Max System Power (IEC) | (W) | 150 |
|----------------------------------|-----|-----|



Measuring methods and conditions are stated in Peerless Standard for Acoustic Measurements (PSAM)